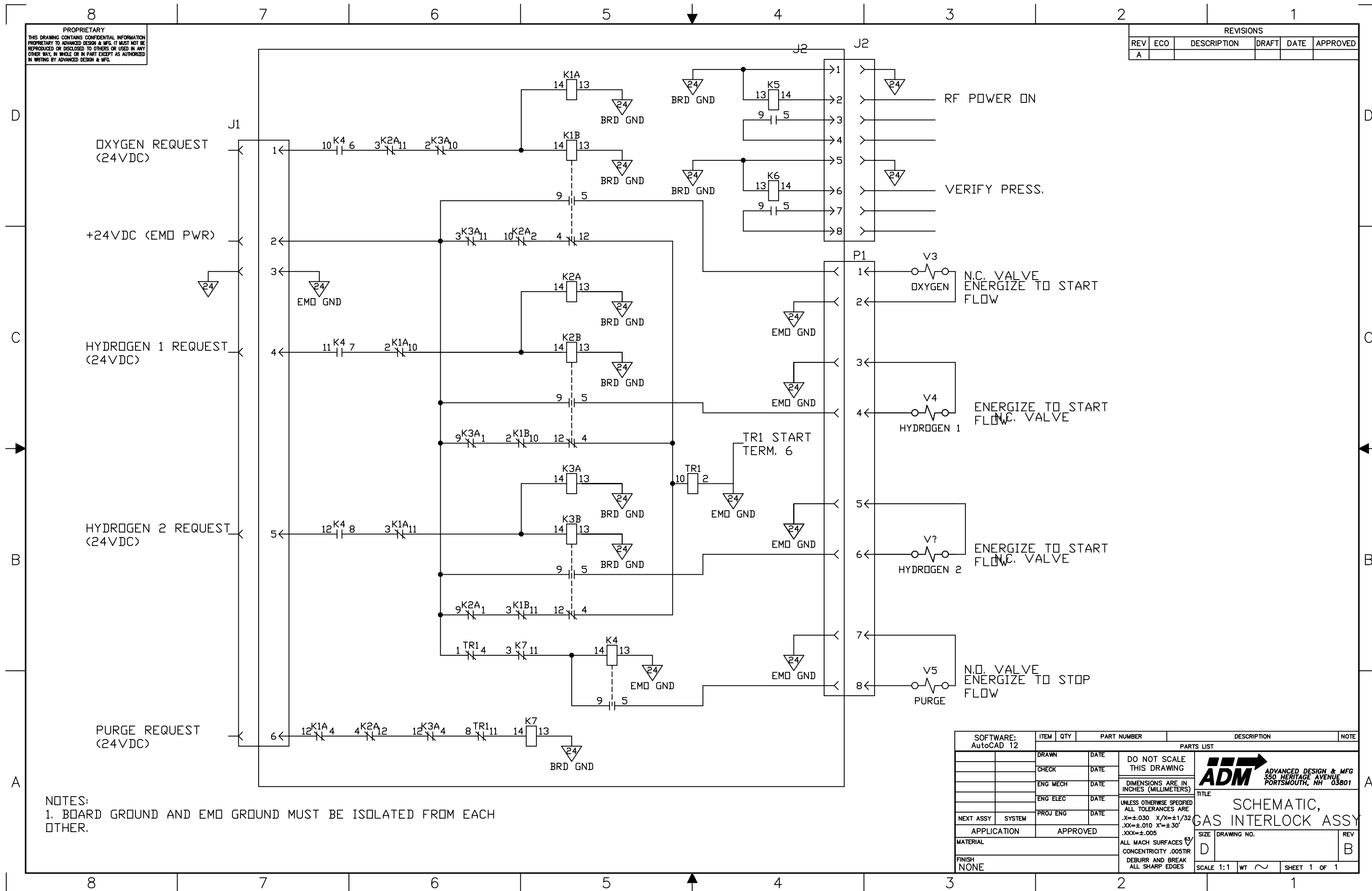


PROPRIETARY
THIS DRAWING CONTAINS CONFIDENTIAL INFORMATION
PROPRIETARY TO ADVANCED DESIGN & MFG. IT MUST NOT BE
REPRODUCED OR DISCLOSED TO OTHERS OR USED IN ANY
OTHER WAY, IN WHOLE OR IN PART EXCEPT AS AUTHORIZED
IN WRITING BY ADVANCED DESIGN & MFG.

REVISIONS					
REV	ECO	DESCRIPTION	DRAFT	DATE	APPROVED
A					



NOTES:
1. BOARD GROUND AND EMD GROUND MUST BE ISOLATED FROM EACH OTHER.

SOFTWARE:	ITEM	QTY	PART NUMBER	DESCRIPTION	NOTE
AutoCAD 12					
	DRAWN	DATE	DO NOT SCALE THIS DRAWING		
	CHECK	DATE	DIMENSIONS ARE IN INCHES (MILLIMETERS)		
	ENG MECH	DATE	UNLESS OTHERWISE SPECIFIED ALL TOLERANCES ARE		
	ENG ELEC	DATE	.X=±.030 X/X=±1/32		
NEXT ASSY	SYSTEM	PROJ ENG	DATE	.XX=±.010 X'=±.30'	
APPLICATION		APPROVED			
MATERIAL		ALL MACH SURFACES 8/			
FINISH		CONCENTRICITY .005TIR			
NONE		DEBURR AND BREAK ALL SHARP EDGES			



TITLE
**SCHEMATIC,
GAS INTERLOCK ASSY**

SIZE	DRAWING NO.	REV
D		B
SCALE 1:1	WT	SHEET 1 OF 1